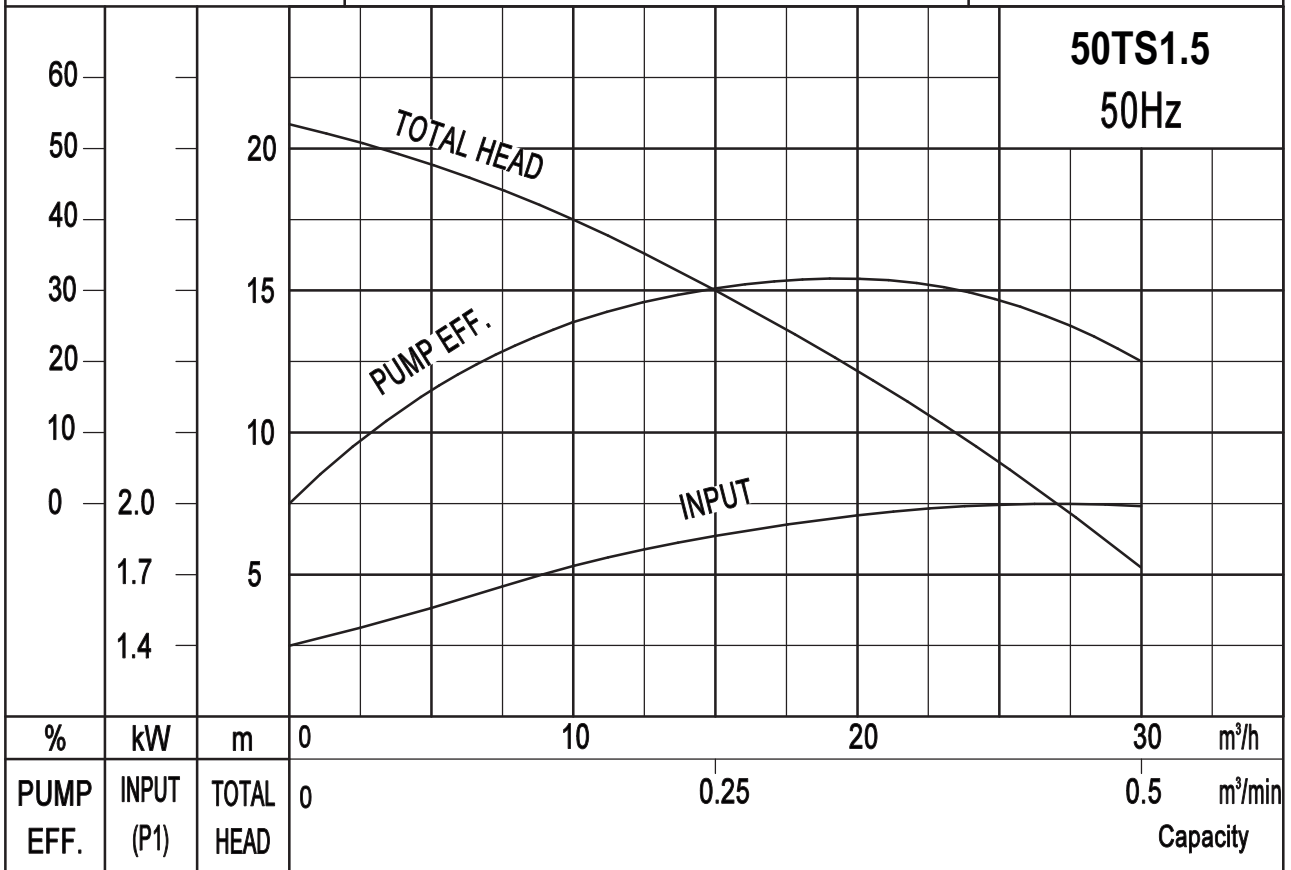


# PUMP PERFORMANCE CURVES

TYPE: SUBMERSIBLE DRAINAGE PUMP		MODEL: 50TS1.5	FREQUENCY: 50Hz
<b>STANDARD SPECIFICATIONS</b>			
DISCHARGE BORE	50 mm		
HEAD	Max: 21 m	Rated: 15 m	
CAPACITY	Max: 0.5 m <sup>3</sup> /min	Rated: 0.25 m <sup>3</sup> /min	
MOTOR OUTPUT	1.5 kW		
PHASE x VOLTAGE	3 Øx 400 V		
CURRENT	3.5 A		
POLES/REVOLUTION	2 P/ S.S.2850 min <sup>-1</sup>		
STARTING METHOD	Direct-on-line start		
INSULATION CLASS	F		

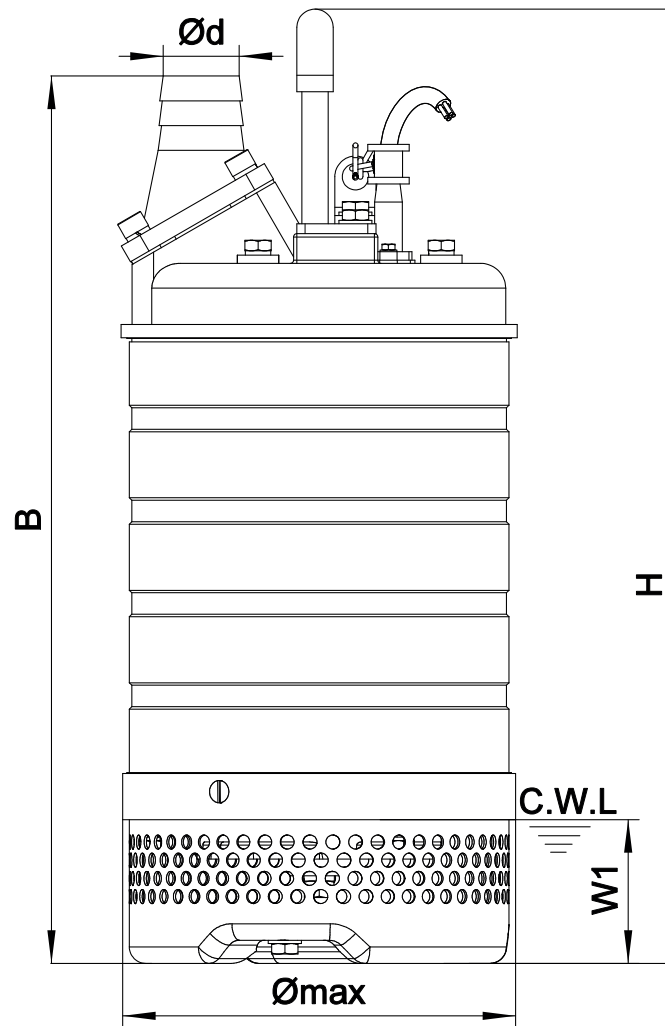


**SOLIDPUMP EUROPE SIA**

**DIMENSION DRAWING**

**TYPE: SUBMERSIBLE DRAINAGE PUMP**

**MODEL: 50TS1.5**



**W1:Continuous running water level**

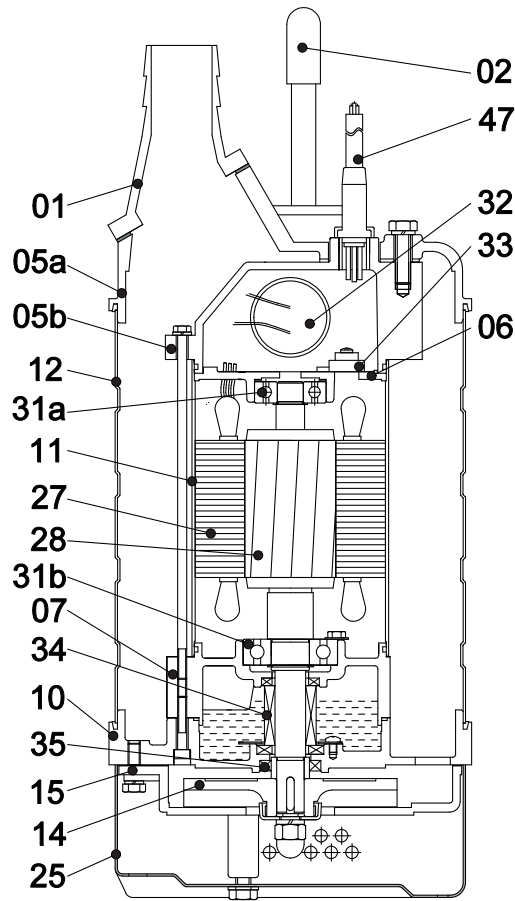
Model	H	B	Ømax	W1
● 50TS1.5	563	540	240	87
50TS1.5(F)	563	547	240	87
80TS1.5	563	540	240	87
80TS1.5(F)	563	547	240	87
50TS2.2	613	590	240	87
50TS2.2(F)	613	597	240	87
80TS2.2	613	590	240	87
80TS2.2(F)	613	597	240	87
50TS3.7	515	591	300	76
50TS3.7(F)	515	591	300	76
80TS3.7	515	616	300	76

Model	H	B	Ømax	W1
80TS3.7(F)	555	631	300	76
100TS3.7	555	656	300	76
100TS3.7(F)	565	641	300	76
80TS5.5	565	641	300	76
80TS5.5(F)	565	666	300	76
100TS5.5	605	681	300	76
100TS5.5(F)	605	706	300	76
100TS7.5	700	810	355	142
150TS7.5	700	810	355	142
100TS11	745	855	355	142
150TS11	745	855	355	142

**B:**The height from pump's bottom to outlet  
**H:**The height from pump's bottom to handle's top

**DIMENSION DRAWING**  
**TYPE: SUBMERSIBLE DRAINAGE PUMP**

**MODEL: 50TS1.5**



Item No.	Part name	Material
01	Hose coupling	AISI304SS
02	Handle	Rubber&steel
05a	Upper cover	AISI304SS
05b	Upper cover	AISI304SS
06	Up-bearing house	AISI304SS
07	Bearing house	AISI304SS
10	Seal bracket	AISI304SS
11	Motor casing	Stainless steel
12	Outer casing	AISI304SS
14	Impeller	AISI304SS
15	Diffuser	AISI304SS
25	Strainer	AISI304SS
27	Stator	
28	Rotor	Shaft: AISI420SS
31a	Bearing	Ball bearing
31b	Bearing	Ball bearing
32	Capacitor	(Single phase only)*
33	Motor protector	
34	Mechanical seal	Sic-Sic/ Carbon-Sic (≤2.2 kW); Sic-Sic/Sic-Sic (3.7-5.5 kW)
35	Oil seal	
47	Cable	Length 15 m H07RN-F

\*- 1,5 kW pumps can be manufactured 220V on request

**Specifications can be changed without notice**

**Solidpump Europe SIA**

Uriekstes iela 14a  
 Rīga, LV-1005  
 LATVIA

Tel.: + 371 66164228  
 E-mail: info@solidpump.com  
 www.solidpump.com

**SOLIDPUMP EUROPE SIA**